

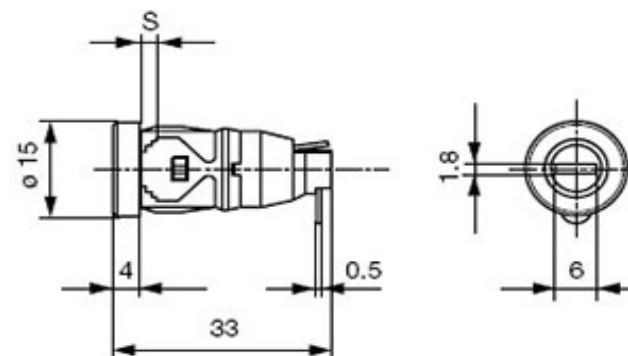
EDCON-COMPONENTS



Technical Discription

Type; Bajonett-Type
 Insulation Resistance: 10m Ω Min 500VDC
 Contact Resistance: 5mΩ @ 1A DC
 Dielectric Strength: AC 3000V for min. 60Sec.
 Rated Current: 10A
 Rated Voltage: 250VAC
 Fuse Type/Size: 5x20mm
 Protection Degree: IP40

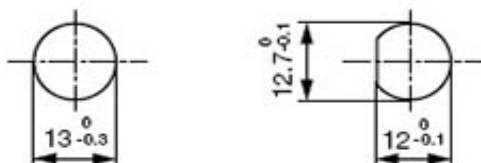
Drawing (mm)



Approvals



Panel Hole (mm)



Front Panel Fuse Holder

Part No.: **R54106**

DRW:	Jason	CHKD	Wilson	MATL:	Wilson	TOLERANCE	Mason	DATE	24.05.2014
APPD:	Schumi			FINISH	Jamy		Sheet No.	1 from 2	Customer:

EDCON-COMPONENTS



Ordering Informations

Serie	Spezial Function	special function	ROHS	Packing						
-------	------------------	------------------	------	---------	--	--	--	--	--	--

R54106	-	A	0	R	BU					
---------------	---	----------	----------	----------	-----------	--	--	--	--	--

A= 5x20mm Fuse	0= No function	R= ROHS Conform	BU= Bulk-Ware

Front Panel Fuse Holder

Part No.: **R54106**

DRW:	Jason	CHKD	Wilson	MATL:	Wilson	TOLERANCE	Mason	DATE	24.05.2014
APPD:	Schumi			FINISH	Jamy		Sheet No.	2 from 2	Customer: